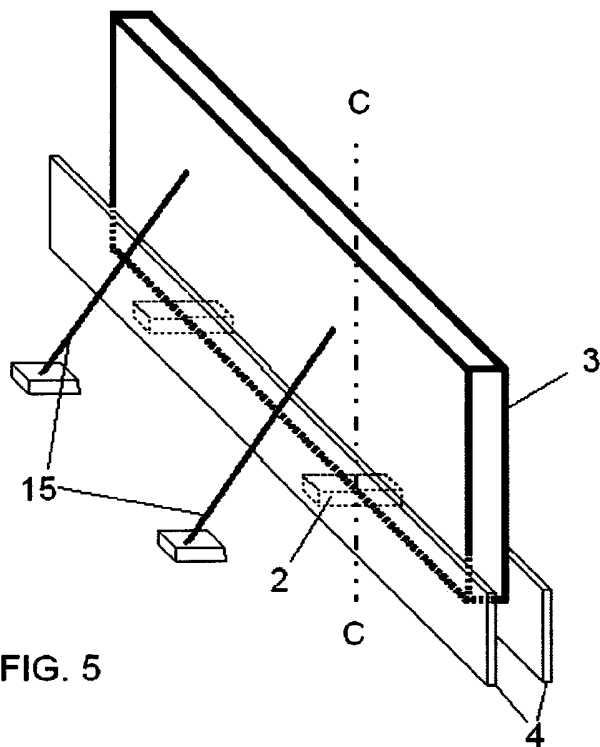




- (51) International Patent Classification:
E04B 1/00 (2006.01) *E02D 27/02* (2006.01)
- (21) International Application Number:
PCT/IS2009/000016
- (22) International Filing Date:
11 December 2009 (11.12.2009)
- (25) Filing Language: English
- (26) Publication Language: English
- (30) Priority Data:
8776 12 December 2008 (12.12.2008) IS
- (72) Inventors; and
- (71) Applicants : **THORGEIRSSON, Halldor Geir** [IS/IS]; Steinsstadaflof 13, IS-300 Akranes (IS). **THORGEIRSSON, Jon Thor** [IS/IS]; Holmaflof 8, IS-300 Akranes (IS). **HELGASON, Bergthor** [IS/IS]; Asabraut 5, IS-300 Akranes (IS).
- (74) Agent: **ARNASON FAKTOR**; Gudridarstig 2-4, IS-113 Reykjavik (IS).
- (81) Designated States (unless otherwise indicated, for every kind of national protection available): AE, AG, AL, AM, AO, AT, AU, AZ, BA, BB, BG, BH, BR, BW, BY, BZ, CA, CH, CL, CN, CO, CR, CU, CZ, DE, DK, DM, DO, DZ, EC, EE, EG, ES, FI, GB, GD, GE, GH, GM, GT, HN, HR, HU, ID, IL, IN, IS, JP, KE, KG, KM, KN, KP, KR, KZ, LA, LC, LK, LR, LS, LT, LU, LY, MA, MD, ME, MG, MK, MN, MW, MX, MY, MZ, NA, NG, NI, NO, NZ, OM, PE, PG, PH, PL, PT, RO, RS, RU, SC, SD, SE, SG, SK, SL, SM, ST, SV, SY, TJ, TM, TN, TR, TT, TZ, UA, UG, US, UZ, VC, VN, ZA, ZM, ZW.
- (84) Designated States (unless otherwise indicated, for every kind of regional protection available): ARIPO (BW, GH, GM, KE, LS, MW, MZ, NA, SD, SL, SZ, TZ, UG, ZM, ZW), Eurasian (AM, AZ, BY, KG, KZ, MD, RU, TJ, TM), European (AT, BE, BG, CH, CY, CZ, DE, DK, EE, ES, FI, FR, GB, GR, HR, HU, IE, IS, IT, LT, LU, LV, MC, MK, MT, NL, NO, PL, PT, RO, SE, SI, SK, SM, TR), OAPI (BF, BJ, CF, CG, CI, CM, GA, GN, GQ, GW, ML, MR, NE, SN, TD, TG).

[Continued on next page]

(54) Title: PREFABRICATED HOUSING BASEMENT STRUCTURES AND CONSTRUCTION METHOD THEREOF



(57) Abstract: The present invention relates to method of erecting a prefabricated housing basement structure. According to the present invention there is provided a method, firstly, excavate earth from an intended building site and preparing the footing surface area, and thereby define an outline of a building. Secondly, arrange a pair of support units on the footing surface. Thirdly arranging first set of prefabricated wall section onto the support units and adjust them in an upright position and their horizontal alignment. Next, forming a mould along the longitudinal lower side of the wall sections enclosing the support units and reaching above the bottom edge of the wall sections. Thereafter, filling the mould with a binding and filling material preferably concrete and finally allow the binding and filling material to harden. By this a secure and even connection is made between the entire footing surface underneath the wall section and the wall.

WO 2010/067382 A1