



(51) International Patent Classification: Not classified  
(21) International Application Number: PCT/IB2009/055109

(22) International Filing Date: 17 November 2009 (17.11.2009)

(25) Filing Language: English

(26) Publication Language: English

(30) Priority Data:  
200808522-7 17 November 2008 (17.11.2008) SG  
200905206-9 4 August 2009 (04.08.2009) SG  
200905452-9 14 August 2009 (14.08.2009) SG  
200905652-4 24 August 2009 (24.08.2009) SG  
200906138-3 15 September 2009 (15.09.2009) SG  
200906474-2 28 September 2009 (28.09.2009) SG

(72) Inventor; and  
(71) Applicant : SCHMALFUSS, Peter, Hermann  
[DE/SG]; 279 Sixth Avenue, Singapore 276566 (SG).

(74) Agents: SCHWEIGER, Martin et al.; Schweiger & Partners (Singapore) LLP, 251B Victoria Street, Singapore 188035 (SG).

(81) Designated States (unless otherwise indicated, for every kind of national protection available): AE, AG, AL, AM, AO, AT, AU, AZ, BA, BB, BG, BH, BR, BW, BY, BZ, CA, CH, CL, CN, CO, CR, CU, CZ, DE, DK, DM, DO, DZ, EC, EE, EG, ES, FI, GB, GD, GE, GH, GM, GT, HN, HR, HU, ID, IL, IN, IS, JP, KE, KG, KM, KN, KP, KR, KZ, LA, LC, LK, LR, LS, LT, LU, LY, MA, MD, ME, MG, MK, MN, MW, MX, MY, MZ, NA, NG, NI, NO, NZ, OM, PE, PG, PH, PL, PT, RO, RS, RU, SC, SD, SE, SG, SK, SL, SM, ST, SV, SY, TJ, TM, TN, TR, TT, TZ, UA, UG, US, UZ, VC, VN, ZA, ZM, ZW.

(84) Designated States (unless otherwise indicated, for every kind of regional protection available): ARIPO (BW, GH, GM, KE, LS, MW, MZ, NA, SD, SL, SZ, TZ, UG, ZM, ZW), Eurasian (AM, AZ, BY, KG, KZ, MD, RU, TJ, TM), European (AT, BE, BG, CH, CY, CZ, DE, DK, EE, ES, FI, FR, GB, GR, HR, HU, IE, IS, IT, LT, LU, LV, MC, MK, MT, NL, NO, PL, PT, RO, SE, SI, SK, SM, TR), OAPI (BF, BJ, CF, CG, CI, CM, GA, GN, GQ, GW, ML, MR, NE, SN, TD, TG).

Published:  
— without international search report and to be republished upon receipt of that report (Rule 48.2(g))

(54) Title: PRECAST CONCRETE PANEL AND METHOD FOR MAKING THE PRECAST CONCRETE PANEL

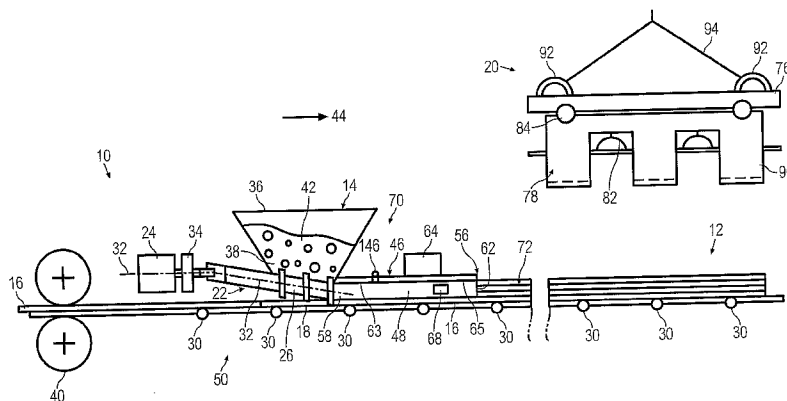


FIG. 1

(57) Abstract: The application provides a concrete product. The concrete produce comprises a lightweight concrete mixture and one or more at least one claddings an extruding process forms the lightweight concrete mixture. The one or more claddings are attached on one or more surfaces of the concrete product.

WO 2010/055497 A2