



(22) Date de dépôt/Filing Date: 2009/10/13  
(41) Mise à la disp. pub./Open to Public Insp.: 2010/04/17  
(30) Priorité/Priority: 2008/10/17 (EP08018227)

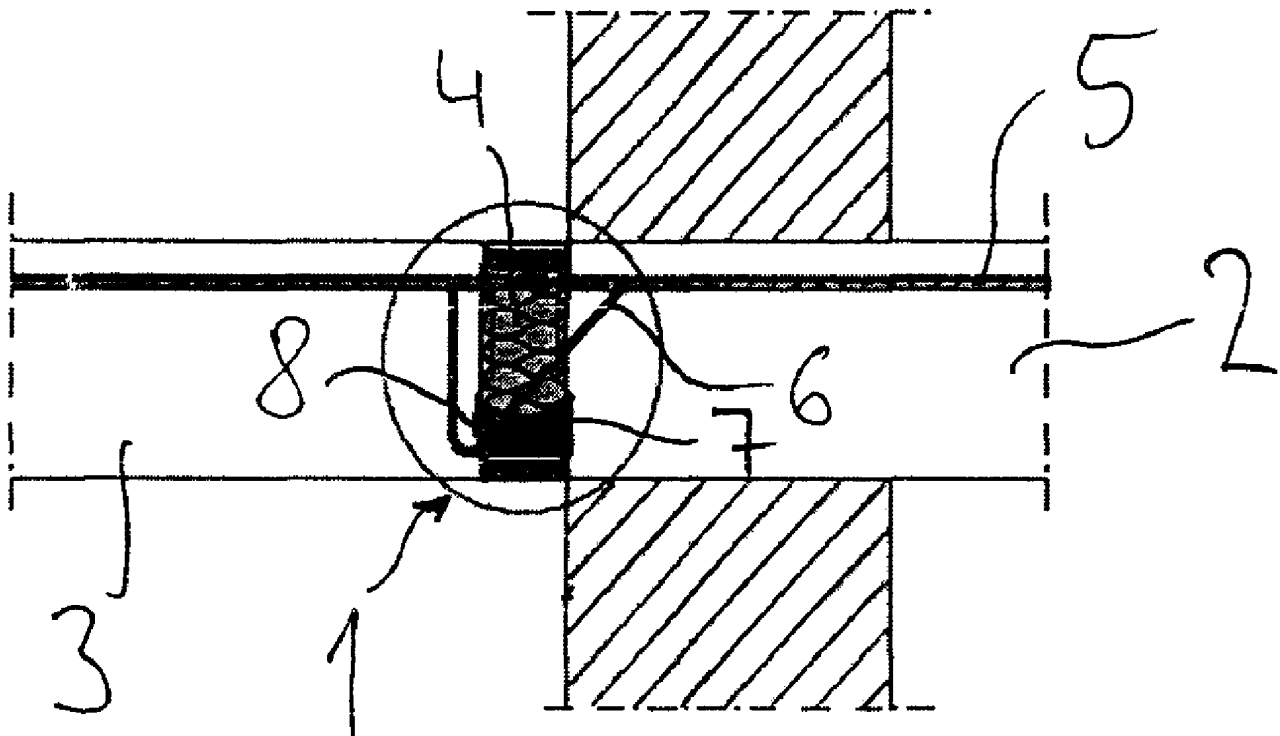
(51) Cl.Int./Int.Cl. *C04B 28/00* (2006.01),  
*C04B 14/34* (2006.01), *C04B 14/38* (2006.01),  
*C04B 14/48* (2006.01), *C04B 22/04* (2006.01),  
*E04B 1/78* (2006.01)

(71) Demandeur/Applicant:  
SCHOECK BAUTEILE GMBH, DE

(72) Inventeur/Inventor:  
BRAASCH, HARALD, DE

(74) Agent: MARKS & CLERK

(54) Titre : BETON, ELEMENT DE CONSTRUCTION POUR ISOLATION THERMIQUE, ET ELEMENT D'ISOLATION  
THERMIQUE EN FORME DE BRIQUE, CHACUNE CONSTITUEE DE BETON  
(54) Title: CONCRETE MATERIAL, CONSTRUCTION ELEMENT FOR THERMAL INSULATION, AND BRICK-SHAPED  
THERMALLY INSULATING ELEMENT, EACH USING THE CONCRETE MATERIAL



(57) Abrégé/Abstract:

The invention relates to a concrete material, particularly for concrete compression elements transmitting compressive forces, to be used in a structural element as the thermal insulation in structural engineering, comprising a high-strength concrete of the strength class C55 or higher, with the concrete being embodied as a thermally insulating, load-bearing material comprising titanium minerals as additives. Additionally the invention relates to a structural element for thermal insulation and a brick-shaped thermally insulating element, each using said concrete material.

